

## CARACTÉRISTIQUES ET AVANTAGES

## OPTIONS



## SPÉCIFICATIONS

Le modèle VRKMK81A est un kit de réparation pour le modèle MK81A spécial soupape antigel.

## APPLICATIONS

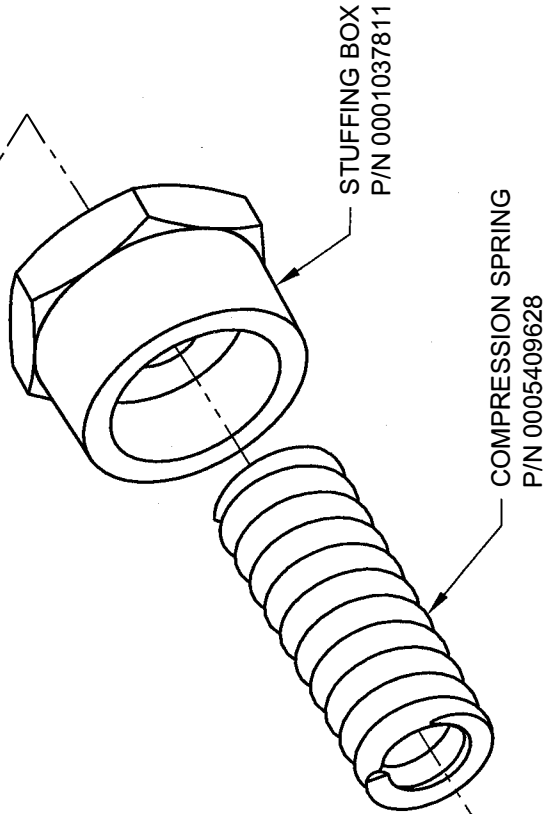
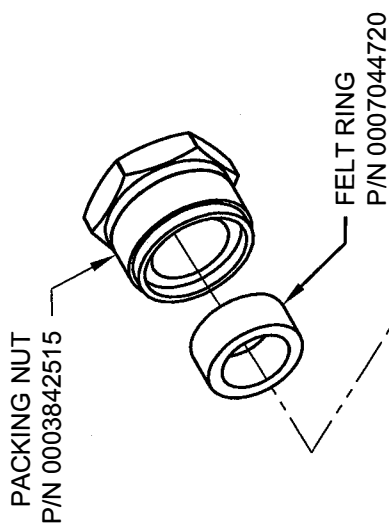
THIS DOCUMENT IS TRUE AND CORRECT AT TIME OF PUBLICATION. CONTINUED PRODUCT IMPROVEMENTS MAKE SPECIFICATIONS AND MEASUREMENTS SUBJECT TO CHANGE WITHOUT NOTICE.

**ATTENTION INSTALLER:**

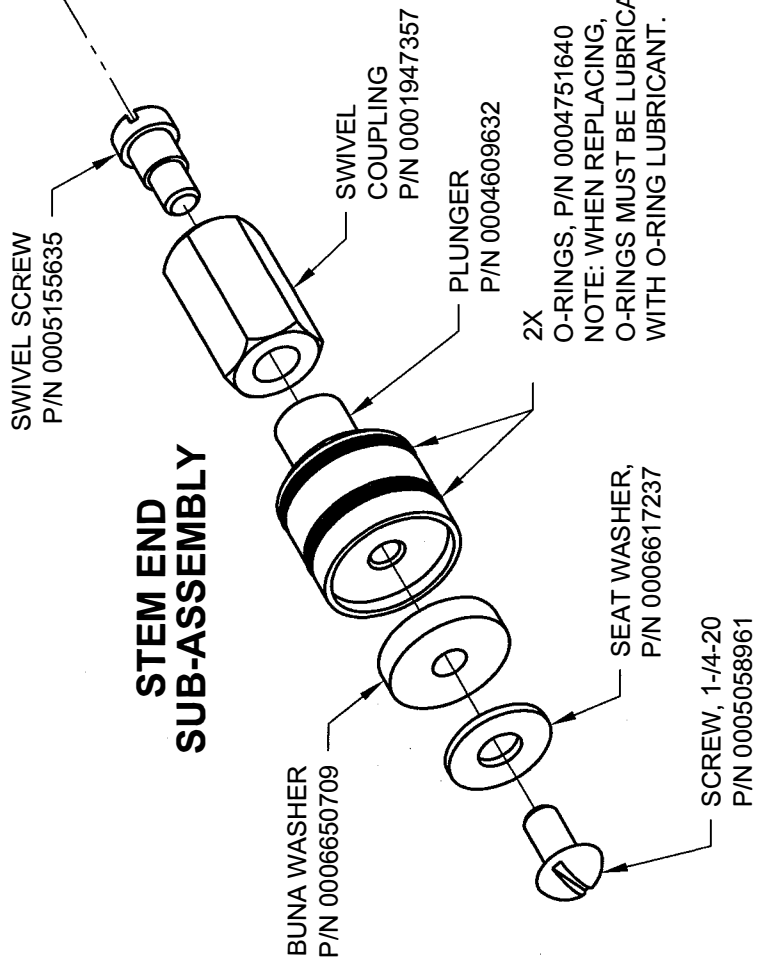
PLEASE COMPARE THE BRASS SPOOLS. IF THE TOP O-RING GROOVE OF THE NEW SPOOL IS ROUGHLY 1/16" LOWER THAN THE TOP O-RING GROOVE OF THE OLD SPOOL, USE YOUR OLD SPOOL, BUT REPLACE THE O-RINGS AND THE SEAT WASHER WITH THE NEW PARTS FROM THE NEW SPOOL. IF YOUR OLD SPOOL MATCHES THE NEW SPOOL, REPLACE THE COMPLETE ASSEMBLY.

**INSTALLATION INSTRUCTIONS**

1. SHUT OFF WATER SUPPLY.
2. DISCONNECT LINKAGE ASSEMBLY FROM TOP OF OLD STEM ASSEMBLY.
3. REMOVE STUFFING BOX.
4. REMOVE OLD STEM END SUB-ASSEMBLY.
5. EXAMINE SEAT AREA OF UNDERGROUND VALVE BODY FOR DAMAGE OR DEBRIS.
6. TURN ON WATER AND FLUSH IF DEBRIS FOUND.
7. REPLACE STEM END SUB-ASSEMBLY.
8. REINSTALL STEM END SUB-ASSEMBLY WITH NEW SPRING, STUFFING BOX, FELT RING AND PACKING NUT.
9. RECONNECT LINKAGE ASSEMBLY.
10. TURN ON WATER SUPPLY.
11. TEST UNIT.



**STEM END SUB-ASSEMBLY**



FOR NO. 1	FOR NO. 2	MODEL(S):	0002030372
FCNS 383.1	FCNS 383.1	TYPE:	0728A00
DATE: 8/23/01	DATE: 8/23/01	INFO. FAX DOC #:	28765812
PROVIDER:	PROVIDER:	ISSUE:	REV. A
			OF 1

©2006 Haws Corporation - All Rights Reserved HAWS® and other trademarks used in these materials are the exclusive property of Haws Corporation.

