



# SP-SE-220

# SPEAKMAN®

## Lifesaver® Emergency Shower

### MODELS:

- SP-SE-220: 8" Plastic Emergency Shower
- SP-SE-220-SS: 8" Stainless Steel Shower with all Stainless Steel Components

### FEATURES:

- 8" high performance emergency shower head with integral flow control
- High visibility yellow aluminum pull rod activator
- 1" NPT female brass, chrome-plated, full flow stay-open ball valve
- 1" NPT female inlet
- Vertical Supply
- 20 GPM (75.71 L/min) @ 30 PSI flow rate
- Universal emergency sign included

### OPTIONS:

- ADA: Extra long pull rod
- FPV: Freeze protection valve
- SCSV: Self-closing shower valve with chain & ring
- SPV: Scald protection valve
- SSBV: 1" Stainless steel ball valve
- SSH: Stainless steel shower head
- SPR: Stainless steel pull rod

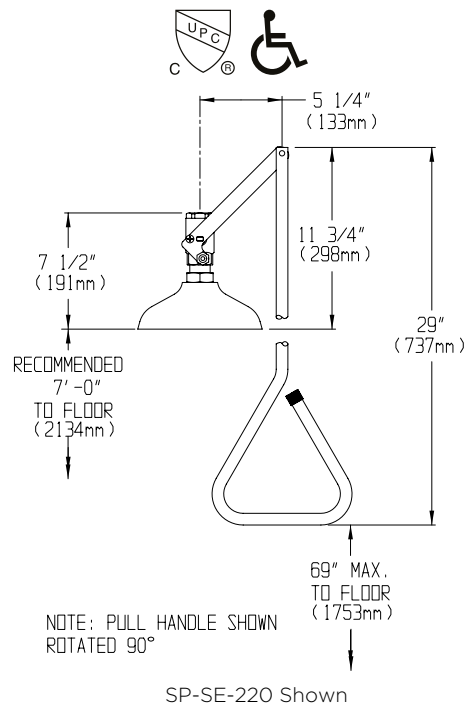
### STANDARDS:

- ANSI/ISEA Z358.1 certified
- ADA compliant (SP-SE-220-ADA, SP-SE-220-ADA-SSH, SP-SE-220-ADA-SS)

### WARRANTY:

Contact us on +331 44 25 03 90 for product warranty information

- 3 Year Limited Warranty (commercial)



Date de révision du document : 14 avril 2023 - Avis de non-responsabilité : Les améliorations continues du produit font que les spécifications peuvent être modifiées sans préavis. Document et photos non contractuelles. April 14, 2023 - Disclaimer: Continued product improvements make specifications subject to change without notice. Non-contractual document.