

Product Datasheet

Unheated safety shower with ABS open bowl eye wash

HU-EXP-18G/75G
HU-EXP-18GS/75G

Comprising an overhead drench shower and an eye/face wash, this combination unit is an effective all-in-one decontamination solution. Practical for indoor locations where it will not be liable to freeze or overheat.

The durable ABS open bowl eye/face wash is push plate operated and features twin spray nozzles with dust covers that lift off when the unit is activated. The shower nozzle swiftly delivers an EN and ANSI compliant pattern and flow of water when triggered by the pull down handle.



Specifications

MATERIALS OF CONSTRUCTION	
PIPEWORK & FITTINGS	Stainless steel (GS) or galvanised mild steel (G)
OPERATING VALVE	Stainless steel, full bore, stay open ball valve
SHOWER NOZZLE	Injection moulded nylon 6
EYE WASH	ABS plastic
EYE WASH DIFFUSERS	Chrome plated brass retaining ring, stainless steel filter mesh, plastic body
STANDARD FINISH	Polished brush (GS) or green powder coated (G)
SERVICES	
WATER INLET	1¼" female BSP
OPERATING PRESSURE	2 to 6 BAR G / 29 to 87 PSI (higher supply pressures accommodated with the incorporation of the optional pressure reducing valve)
MINIMUM FLOW RATES	Shower: 76 L per minute / 20 US gal per minute Eye wash: 12 L per minute / 3 US gal per minute
AMBIENT OPERATING TEMPERATURE	
MINIMUM	5C / 41F
MAXIMUM	35C / 95F
OPERATION	
SHOWER	Pull handle
EYE WASH	Push plate
DIMENSIONS & WEIGHT	
DIMENSIONS (WxDxH)	308mm (12.1in) x 773mm (30.4in) x 2320mm (91.3in)
WEIGHT	16kg (35lb)

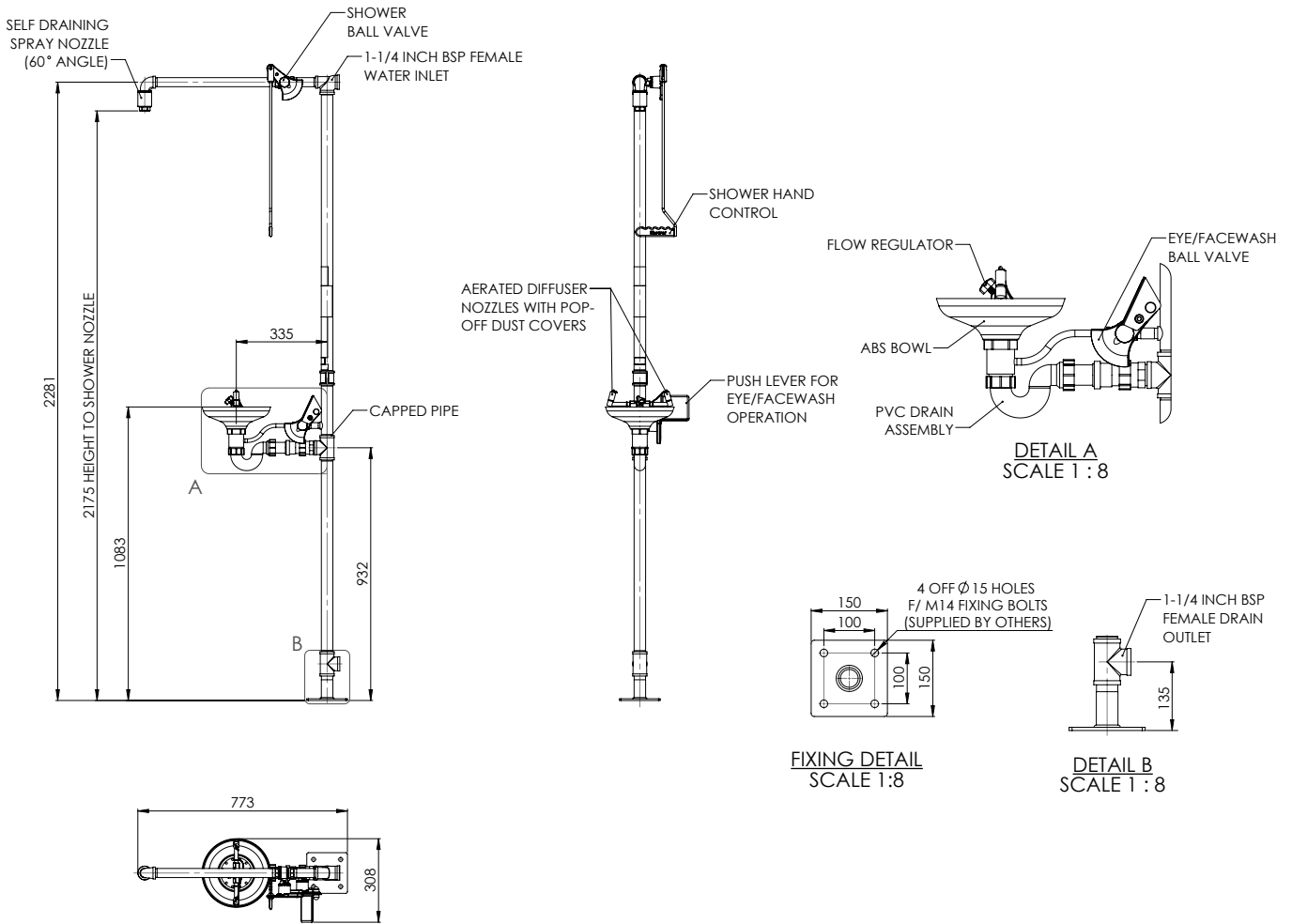


General Arrangement Drawing

Unheated safety shower with ABS open bowl eye wash

HU-EXP-18G/75G

HU-EXP-18GS/75G



Date de révision du document : 24 mars 2023 - Avis de non-responsabilité : Les améliorations continues du produit font que les spécifications peuvent être modifiées sans préavis. Document et photos non contractuelles. / March 24, 2023 - Disclaimer: Continued product improvements make specifications subject to change without notice. Non-contractual document.

