



EU-1001-1920

ADA Vandal-Resistant Fountain and Bottle Filler

FEATURES & BENEFITS

CONSTRUCTION :

Rugged ADA accessible 18 gauge Type 304 Stainless Steel swirl design bowl, 14 gauge Type 304 Stainless Steel bracket and bottle filler, and vandal-resistant bottom plates provides a long lasting unit with added peace of mind.

BOTTLE FILLER :

Vandal-resistant, 14-gauge Type 304 stainless steel bottle filler housing with push button operation and 1 gpm (3.78 litres) laminar flow

FOUNTAIN VALVES :

The push-button activated valves have all stainless steel bodies, with chrome plated brass push button assemblies which allow for front access to water stream adjustment, water control cartridge, and water supply strainer replacement without having to go through the bottom plate. Operating pressure range of 30 to 90 psi (2.1 to 6.2 bar).

BUBBLER HEAD :

Polished chrome-plated brass bubbler head with integral laminar flow prevents splashing while providing a superior flow pattern. The integral 11/16" dia. basin shank and stainless anti-rotation roll pin for vandal resistance strength. Shielded, angled stream opening provides a steady, sanitary source of drinking water at .45 gpm.

MOUNTING :

3/16" (.47 cm) thick steel mounting plate (sold separately) is larger, thicker and stronger than any other plate in the industry, and shall include the all-thread studs, nuts, and washers which allows for easy installation to a framed wall. (P-trap and stop require rear access).

QUALITY CONTROL :

Both fountain and bottle filler are pre-built and fully water and pressure tested to ensure proper functionality. The bubbler head, push buttons, round bowl, drain strainer and bottom plates are locked in place, discouraging unwanted vandal tampering.

VANDAL-RESISTANT :

The bubbler head, push buttons, round bowl, drain strainer and bottom plates are locked in place, discouraging unwanted vandal tampering.

OPTIONS

Mounting Plate : Model EU-6700, in-wall mounting plate for model EU-1920.

Mounting Plate : Model EU-6700R, on-wall mounting plate for model EU-1920.

Support Frame : Model EU-6800 In-wall floor mounted fixture support legs, welded steel 4-bolt floor flanges, and supplied with 'U' bolts and hardware.

Bottle Filler Stand : Model EU-BTL1001, add-on stainless steel stand to place bottle on when EU-1920 bottle filler is used.



REQUIRED MODELS

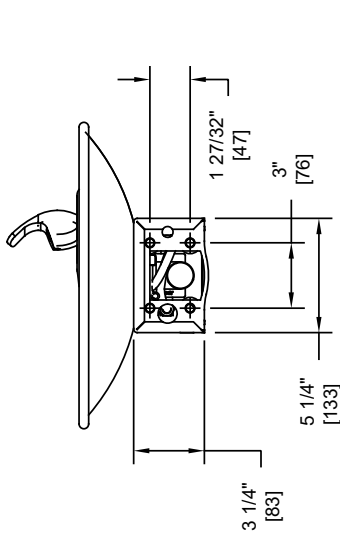
EU-1001 / EU-BP6 / EU-6700 / EU-1920 / EU-BP15
Order these items to make up the Model EU-1001-1920 fountain with stainless steel back panel, bottle filler with stainless steel back plate, and fountain mounting plate shown above.

SPECIFICATIONS

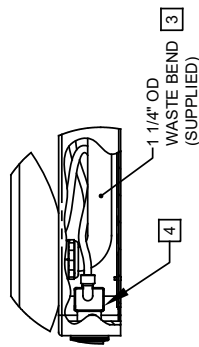
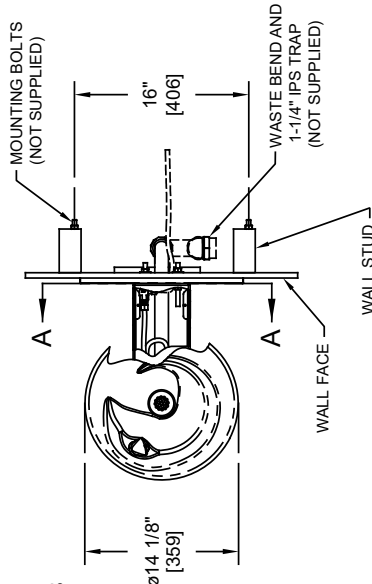
Model EU-1001-1920 wall mounted vandal-resistant ADA drinking fountain and bottle filler shall include an 18 gauge Type 304 Stainless Steel satin finish basin with integral swirl design, 14 gauge Type 304 Stainless steel wall bracket and bottle filler bracket, 100% lead-free waterways, vandal-resistant push-button operated stainless steel valves with front-accessible cartridge and flow adjustment, polished chrome-plated brass vandal-resistant bubbler head with integral laminar anti-squirt flow, 1 gpm (3.78 L) laminar flow bottle filler, chrome plated brass vandal-resistant waste strainer, vandal-resistant bottom plates, and 1-1/4" (3.2 cm) O.D. waste pipe. (P-trap and stop require rear access). Manufactured to be lead-free by all known definitions including NSF/ANSI/CAN 61-Section 9, NSF/ANSI/ CAN 372, California Proposition 65, and the Federal Safe Drinking Water Act. Product is compliant to California Health and Safety Code 116875 (AB 1953-2006), and NSF/ANSI/CAN 61 : Q ≤ 1.

NOTES :

1. HOLD ROUGH-IN DIMENSIONS $\pm 1/8"$ (3.2mm).
2. WHEN INSTALLING THIS UNIT, LOCAL, STATE, OR FEDERAL CODES SHOULD BE ADHERED TO FOR INSTALLATION DIMENSIONS (LOCATIONS), WASTE AND SUPPLY REQUIREMENTS OTHER THAN SHOWN.
3. INSTALLER MUST PROVIDE TRAP FOR PROPER INSTALLATION.
4. REMOVE VALVE FROM PUSH BUTTON TO INSTALL WASTE ELBOW ONTO BOWL. AFTER WASTE ELBOW IS INSTALLED, REINSTALL VALVE AND ADJUST FLOW.
5. REFER TO 5874 SERIES OPERATION AND MAINTENANCE MANUAL FOR PUSH BUTTON AND VALVE INSTALLATION/MAINTENANCE INSTRUCTIONS.

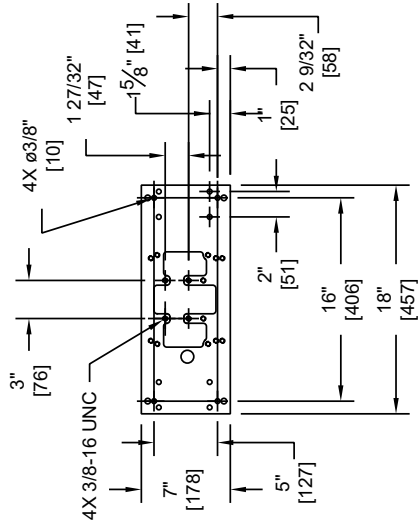


SECTION A-A
ROTATED 90° INTO VIEW
BRACKET MOUNTING
DETAIL

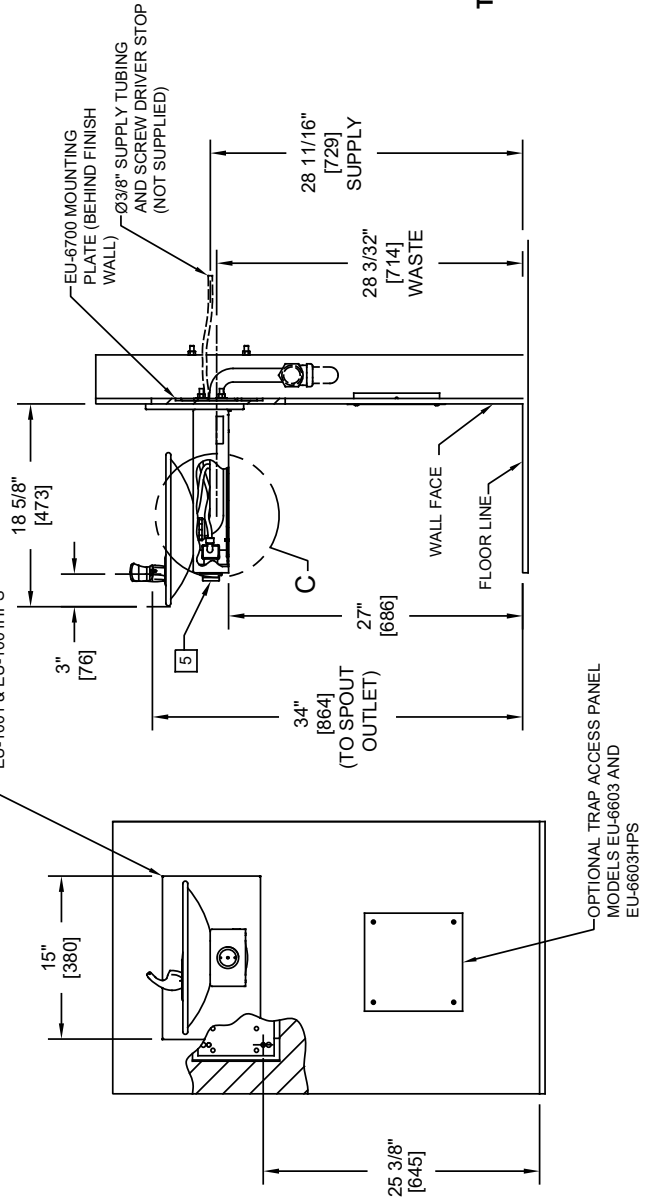


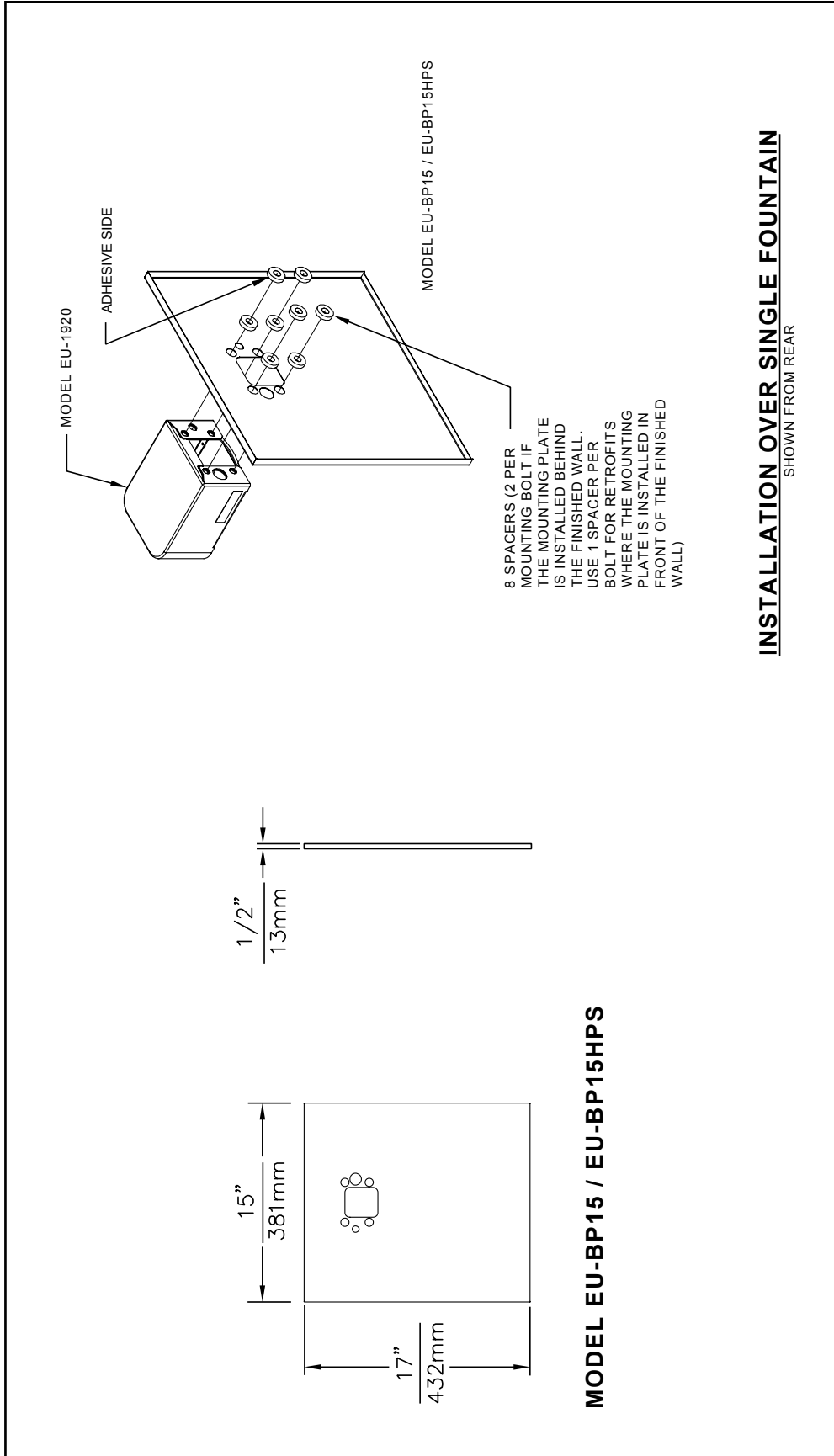
DETAIL C

BACK PANEL (OPTIONAL):
EU-1001 & EU-1001HPS



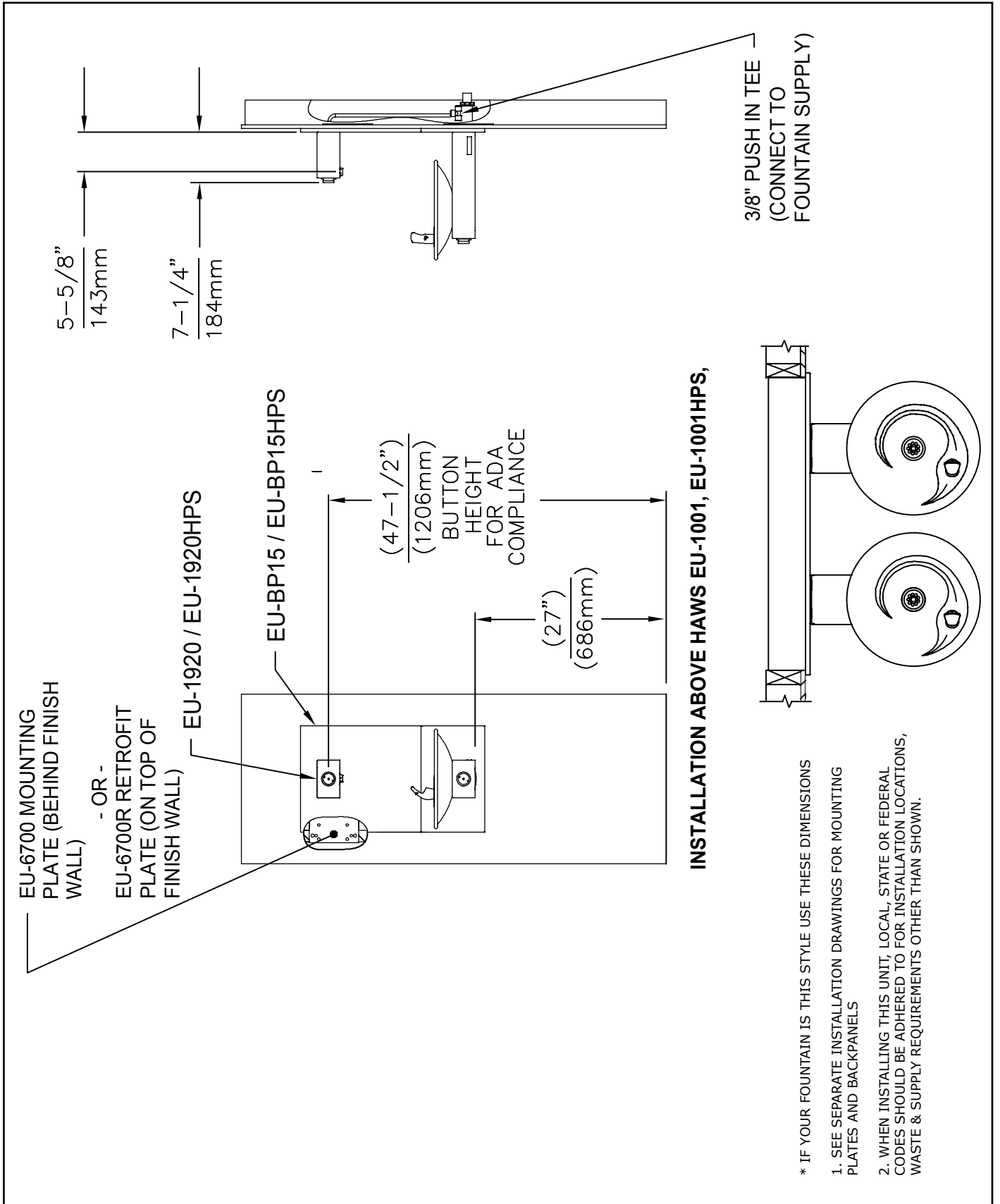
**EU-6700 MOUNTING PLATE
MUST BE INSTALLED BEFORE FINISH WORK
THIS PLATE IS REQUIRED - SOLD SEPARATELY.**

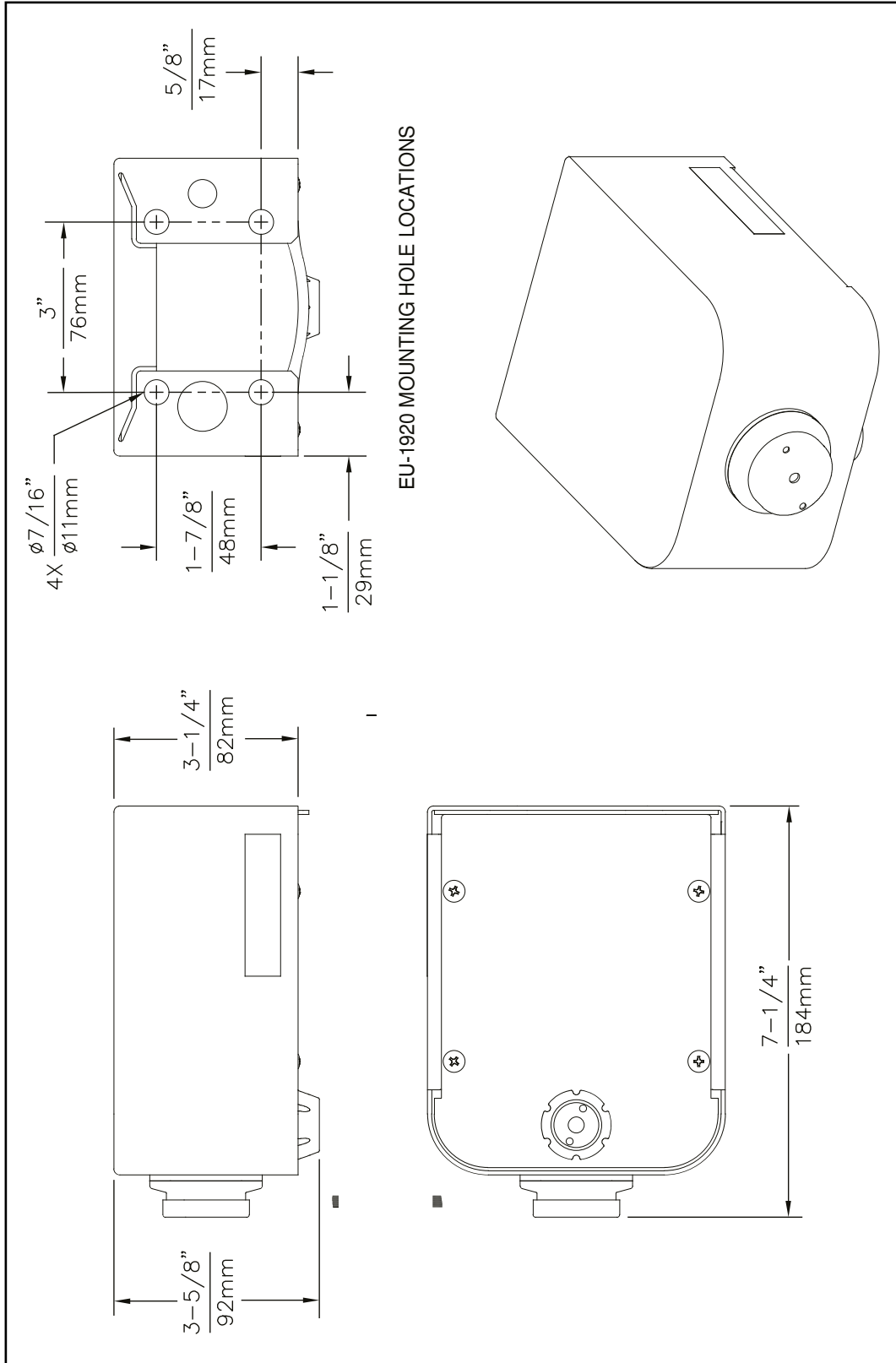




NOTES :

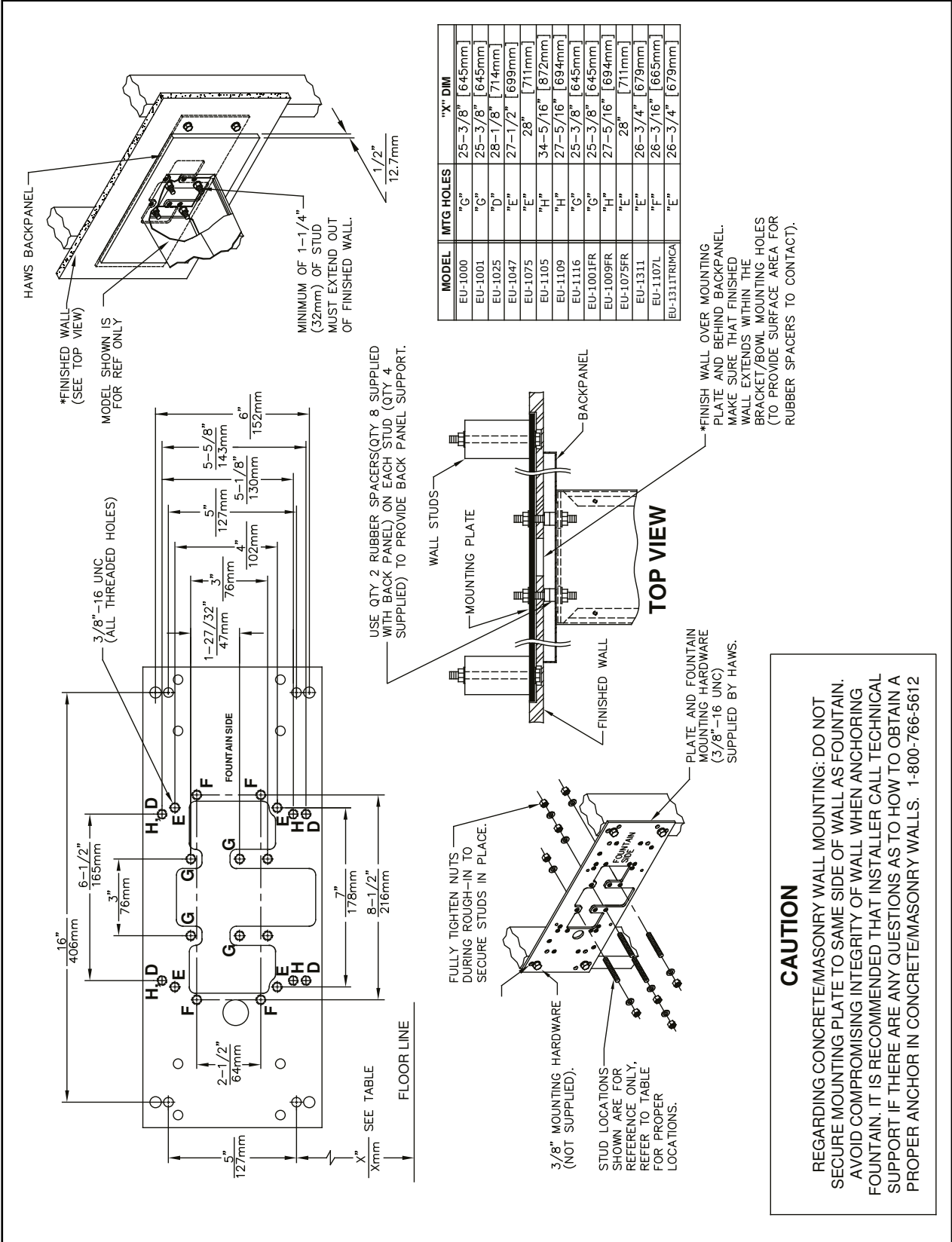
1. WHEN INSTALLING THIS UNIT, LOCAL, STATE OR FEDERAL CODES SHOULD BE ADHERED TO.





NOTES :

1. SEE SEPERATE INSTALLATION DRAWINGS FOR MOUNTING PLATES AND BACKPANELS
2. WHEN INSTALLING THIS UNIT, LOCAL, STATE OR FEDERAL CODES SHOULD BE ADHERED TO FOR INSTALLATION LOCATIONS, WASTE & SUPPLY REQUIREMENTS OTHER THAN SHOWN.



***FINISHED WALL (SEE TOP VIEW) MODEL SHOWN IS FOR REF ONLY**

HAWS BACKPANEL

MINIMUM OF 1-1/4" (32mm) OF STUD MUST EXTEND OUT OF FINISHED WALL.

1/2" 12.7mm

3/8"-16 UNC (ALL THREADED HOLES)

5-5/8" 143mm

5" 127mm

1-27/32" 47mm

3" 76mm

5-1/8" 130mm

6" 152mm

102mm

4" 102mm

16" 406mm

6-1/2" 165mm

3" 76mm

178mm

8-1/2" 216mm

2-1/2" 64mm

5" 127mm

Xmm

SEE TABLE

FLOOR LINE

USE QTY 2 RUBBER SPACERS(QTY 8 SUPPLIED WITH BACK PANEL) ON EACH STUD (QTY 4 SUPPLIED) TO PROVIDE BACK PANEL SUPPORT.

WALL STUDS

MOUNTING PLATE

BACKPANEL

FINISHED WALL

PLATE AND FOUNTAIN MOUNTING HARDWARE (3/8"-16 UNC) SUPPLIED BY HAWS.

***FINISH WALL OVER MOUNTING PLATE AND BEHIND BACKPANEL. MAKE SURE THAT FINISHED WALL EXTENDS WITHIN THE BRACKET/BOWL MOUNTING HOLES (TO PROVIDE SURFACE AREA FOR RUBBER SPACERS TO CONTACT).**

MODEL	MTG HOLES	"X" DIM
EU-1000	"G"	25-3/8" [645mm]
EU-1001	"G"	25-3/8" [645mm]
EU-1025	"D"	28-1/8" [714mm]
EU-1047	"E"	27-1/2" [699mm]
EU-1075	"E"	28" [711mm]
EU-1105	"H"	34-5/16" [872mm]
EU-1109	"H"	27-5/16" [694mm]
EU-1116	"G"	25-3/8" [645mm]
EU-1001FR	"G"	25-3/8" [645mm]
EU-1009FR	"H"	27-5/16" [694mm]
EU-1075FR	"E"	28" [711mm]
EU-1107L	"E"	26-3/4" [679mm]
EU-1311TRMCKA	"E"	26-3/4" [679mm]

FULLY TIGHTEN NUTS DURING ROUGH-IN TO SECURE STUDS IN PLACE.

3/8" MOUNTING HARDWARE (NOT SUPPLIED).

STUD LOCATIONS SHOWN ARE FOR REFERENCE ONLY. REFER TO TABLE FOR PROPER LOCATIONS.

CAUTION

REGARDING CONCRETE/MASONRY WALL MOUNTING: DO NOT SECURE MOUNTING PLATE TO SAME SIDE OF WALL AS FOUNTAIN. AVOID COMPROMISING INTEGRITY OF WALL WHEN ANCHORING FOUNTAIN. IT IS RECOMMENDED THAT INSTALLER CALL TECHNICAL SUPPORT IF THERE ARE ANY QUESTIONS AS TO HOW TO OBTAIN A PROPER ANCHOR IN CONCRETE/MASONRY WALLS. 1-800-766-5612