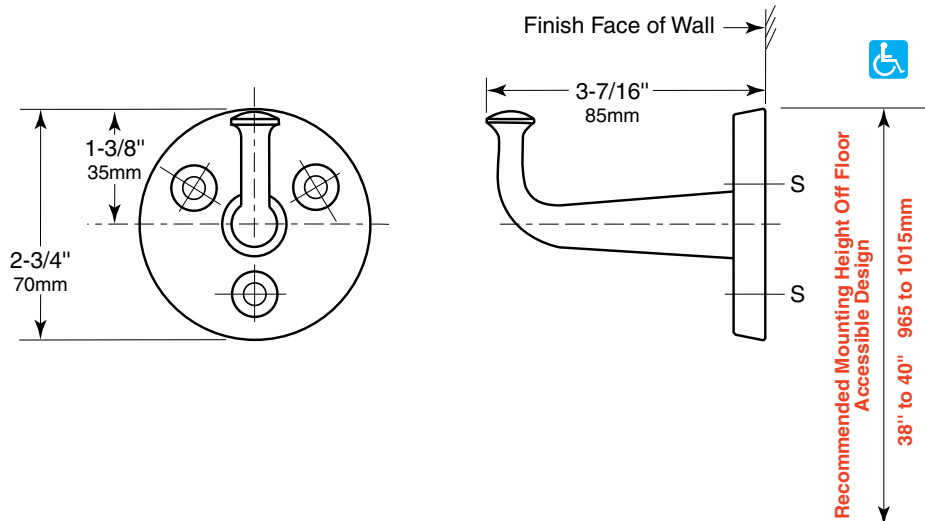


HEAVY-DUTY CLOTHES HOOK

with Exposed Mounting

B-211



MATERIALS:

Hook and Flange — One-piece brass casting with satin nickel-plated finish. Withstands 300-lb (136-kg) downward pull if properly installed.

INSTALLATION:

Mount unit on wall with three sheet-metal screws, furnished by manufacturer, at points indicated by an S. For plaster or dry wall construction, provide concealed backing to comply with local building codes, then secure hook with screws furnished. For other wall surfaces, provide fiber plugs or expansion shields for use with screws furnished, or provide toggle bolts or expansion bolts.

SPECIFICATION:

Heavy-duty robe hook shall be one-piece brass casting with satin nickel-plated finish. Hook shall withstand 300-lb (136-kg) downward pull when properly installed.

© 2015 by Bobrick Washroom Equipment, Inc.

Date de révision du document : 24 février 2023 - Avis de non-responsabilité : Les améliorations continues du produit font que les spécifications peuvent être modifiées sans préavis. Document et photos non contractuelles.
February 24, 2023 - Disclaimer: Continued product improvements make specifications subject to change without notice. Non-contractual document.