

## AVANTAGES

### CONSTRUCTION

Made of stainless steel, the cover and linkage resist corrosion and provides long life.

### PROTECTION

Stainless steel dust cover protects eye/face wash as well as bowl from airborne contaminants and dust assuring optimal safety for the user.

## OPTIONS



## CARACTÉRISTIQUES

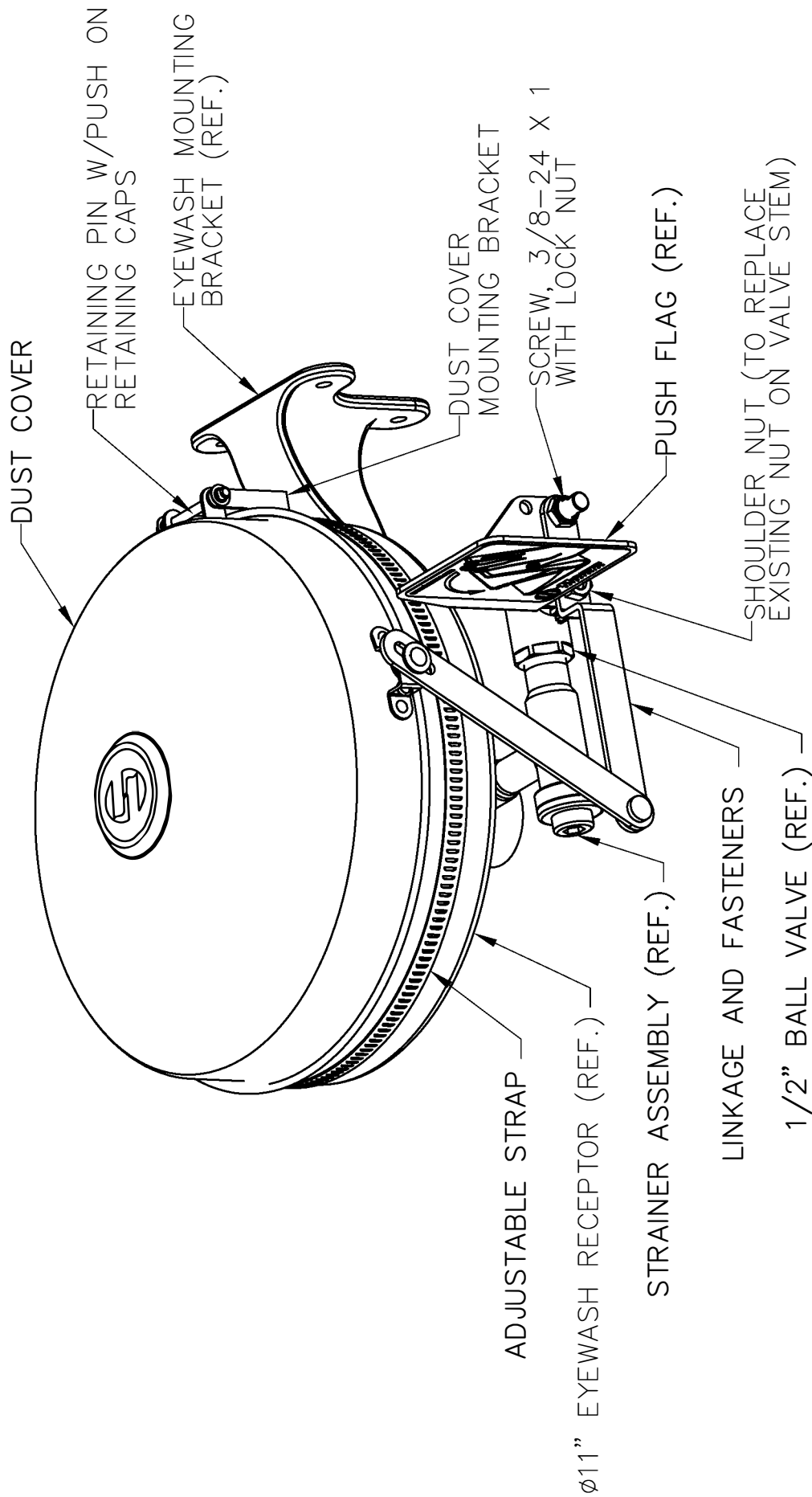
Model 9102 stainless steel dust cover assembly with stainless steel mounting hardware.

## APPLICATIONS

Specifically, this dust cover can be used with most Haws models that use a SP90 or SP93 eyewash receptor.

**NOTES:**

1. EYEWASH RECEPTOR, STRAINER, BALL VALVE, MOUNTING BRACKET, AND PUSH FLAG ARE NOT SUPPLIED AND SHOWN FOR REFERENCE ONLY.



REV. NO.	REV. DATE	REV. BY	MODEL(S)
0002080227.D	06/19/02	D. ZHOU	9102 STAINLESS STEEL DUST COVER
APPROVED			INFO FAX DOC # 29102
ISSUE			ISSUE TYPE
REV. A			REV. 1 OF 1